

2007 年親子營解答

國語 01-10 DDADABDCCC 11-20 BCCCBBCDAA 21-30 DBDABBADDA 31-40  
BABBDCAADB 41-50 CDCABABDCD

英語 01-10 BACBDCDACC 11-20 ADBCCBCADA 21-30 CDBACDCCBB 31-40  
BCCDCABBDD

自然 01-10 DCDDDBDCDB 11-20 BAAABCACAC 21-30 ADCDCDDDBC 31-40  
ADDDBAACBA

數學 01-10 CADBBBDBC 11-20 DDADCCBAAD 21-25 ACDCD-----

2008 年親子營解答

國語 01-10 DBABBCACBC 11-20 CAACCDCCCB 21-30 ABCADDACBC 31-40  
BBDBCBCDA

英語 01-10 DCCBADADBB 11-20 DCCCADCCDA 21-30 DCADDACDDA 31-40  
DBCADBACBC 41-50 CBDACBACCA

自然 01-10 DAACACCCAA 11-20 DCCBCCADBB 21-30 CDAADDCBAA 31-40  
BBBCACCBDA

數學 01-10 CACCADBDBA 11-20 DDDBBCACBB 21-30 ABBDC=DDAC **數學第 26  
題無答案**

2009 年親子營解答

國語 01-10 BACAAADDDA 11-20 BCCCACBCBC 21-30 BDADCBDCBC 31-40  
ADBDCDBDAB

英語 01-10 DCACACBDBD 11-20 DDBDACCBDC 21-30 CDADCADBCB 31-40  
CBBEBCACAA

自然 01-10 CACDBDCBCB 11-20 BAAAADADCD 21-30 BBBCCCDBB 31-40  
ABDC=====

數學 01-10 ADBDAAABDC 11-20 BBADBCBABB 21-30 CCDCACACDD

2010

國語 01-10 BADABCACCB 11-20 CDBACCCDBD 21-30 CDDBBBDAAB 31-40  
BBACDCBBBA

英語 01-10 ABCCDACBAB 11-20 ADDCDCBABC 21-30 DDACBBDCCA 31-40  
BCDCBBCAAD

自然 01-10 CABAACBCDC 11-20 BBCBBDAABC 21-30 CAADDCCACA 31-40  
CABCB

數學 01-10 CACDCBCDDC 11-20 ACABCCBBCC 21-30 DDCAC

2011

國語 1-5 CDABC 6-10 ABDAB 11-15 DACAC 16-20 CBDAB 21-25 CCDBD 26-30  
DABBA 31-35 CCACB 36-40 CCDBC

英語 1. CDACB 6. DACBA 11. CCBBB 16. CADD C 21. BBADC 26. CCBDA  
31. BDADC 36. ABABB

數學 1. ABDCD 6. DBBAC 11. BDDBC 16. CCACA

自然 1. DCCDD 6. CBCCA 11. ACBBA 16. DBCCC 21. CCBBC 26. A. ABDB 31. ACCD

2012

國語 1-5 DCABD 6-10 BACBD 11-15 BDABD 16-20 CACCC  
21-25 CBACC 26-30 ADBBD 31-35 CBBAC 36-40 DDCCB

英語 1-5 DBACD 6-10 CBABD 11-15 CDABD 16-20 ABCAB  
21-25 CBADC 26-30 BADDA 31-35 CABCC 36-40 BABCB

數學 1-5 ADBCD 6-10 CABBC 11-15 CDADB 16-20 ADAAC

自然 1. ABCDD 6. BBADC 11. CCBAD 16. CBBCA  
21. DCADC 26. DDCBB 31. BADCA 36. CDBAD

2013

國語 1-5 CBBDD 6-10 BACAD 11-15 AABAD 16-20 BBCCD  
21-25 ADDCB 26-30 BBDBB 31-35 BDCAD 36-40 ACBCD

英語 1-5 CBDCB 6-10 ACDCB 11-15 ADCCD 16-20 DABBB  
21-25 DABCA 26-30 CBDCD 31-35 DADBD 36-40 DBCDA

數學 1-5 BBACD 6-10 AADCA 11-15 CBBCC 16-20 BABDA

自然 1-5 DAADD 6-10 ABABA 11-15 CCD CD 16-20 BDAAB  
21-25 BACCB 26-30 CDCAC

## 國文 A 卷

1	2	3	4	5
D	B	A	A	C
6	7	8	9	10
B	A	D	C	B
11	12	13	14	15
C	C	A	B	B
16	17	18	19	20
D	A	C	B	D
21	22	23	24	25
D	C	A	A	B
26	27	28	29	30
A	A	D	A	C
31	32	33	34	35
B	C	C	A	A
36	37	35	39	40
D	A	D	B	D

## 國文 B 卷

1	2	3	4	5
C	A	A	D	B
6	7	8	9	10
C	C	D	A	B
11	12	13	14	15
D	D	C	A	B
16	17	18	19	20
A	D	B	B	D
21	22	23	24	25
C	B	B	C	A
26	27	28	29	30
A	A	B	D	B
31	32	33	34	35
B	C	A	B	A
36	37	35	39	40
A	A	D	B	A

## 英文 A 卷

1	2	3	4	5
D	A	B	D	D
6	7	8	9	10
D	A	C	C	A
11	12	13	14	15
D	B	B	B	C
16	17	18	19	20
A	D	A	B	C
21	22	23	24	25
B	A	D	B	B
26	27	28	29	30
D	C	D	A	C
31	32	33	34	35
D	B	D	B	B
36	37	35	39	40
C	B	A	B	B

## 英文 B 卷

1	2	3	4	5
A	B	A	C	D
6	7	8	9	10
C	D	A	D	A
11	12	13	14	15
B	A	B	A	A
16	17	18	19	20
B	C	D	A	A
21	22	23	24	25
D	C	B	B	A
26	27	28	29	30
D	A	B	B	C
31	32	33	34	35
C	B	C	B	D
36	37	35	39	40
C	C	D	B	D

## 數學 A 卷

1	2	3	4	5
C	C	D	B	D
6	7	8	9	10
B	B	B	D	A
11	12	13	14	15
D	A	A	C	B
16	17	18	19	20
D	A	C	A	C
21	22	23	24	25

## 數學 B 卷

1	2	3	4	5
C	B	B	D	C
6	7	8	9	10
D	B	C	D	A
11	12	13	14	15
A	A	C	B	D
16	17	18	19	20
A	C	B	A	D
21	22	23	24	25

## 自然 A 卷

1	2	3	4	5
A	B	D	D	B
6	7	8	9	10
D	C	B	A	D
11	12	13	14	15
A	D	B	C	B
16	17	18	19	20
C	C	B	A	C
21	22	23	24	25
D	D	B	D	C
26	27	28	29	30
D	A	B	D	B
31	32	33	34	35
C	B	A	A	D
36	37	35	39	40
B	A	D	B	C

## 自然 B 卷

1	2	3	4	5
B	D	A	A	A
6	7	8	9	10
A	D	C	A	A
11	12	13	14	15
C	A	D	A	C
16	17	18	19	20
D	C	D	A	B
21	22	23	24	25
D	C	B	C	A
26	27	28	29	30
B	C	B	C	A
31	32	33	34	35
A	B	D	C	A
36	37	35	39	40
C	D	B	A	C

## 國文

1	2	3	4	5
C	D	D	C	B
6	7	8	9	10
A	B	C	B	C
11	12	13	14	15
B	C	B	C	D
16	17	18	19	20
C	D	A	B	D
21	22	23	24	25
D	C	D	C	A
26	27	28	29	30
B	B	A	C	D

## 英文

1	2	3	4	5
B	C	D	B	A
6	7	8	9	10
C	B	D	C	B
11	12	13	14	15
C	B	A	B	D
16	17	18	19	20
A	C	D	D	C
21	22	23	24	25
B	A	C	C	C
26	27	28	29	30
A	B	A	C	D
31	32	33	34	35
B	C	A	A	D

## 自然

1	2	3	4	5
D	D	A	B	A
6	7	8	9	10
B	D	C	C	A
11	12	13	14	15
C	A	D	D	B
16	17	18	19	20
C	B	D	B	D
21	22	23	24	25
B	D	C	C	D

## 數學

1	2	3	4	5
D	C	A	C	A
6	7	8	9	10
A	C	D	D	B
11	12	13	14	15
D	B	B	C	A
16	17	18	19	20
D	B	C	C	B
21	22	23	24	25
C	A	D	A	B

2016 親子營解答

數學

DACBA CCCAB BDDDC AABDB

國文

BDACC DCBDC BDDAC DDCCA AADCA BBCCC

自然

BCDAC DBABD ADCCA BDDBB BCABD BBCBC CBCAD CCCDD

英語

BCAAD CDBAC BDCAC BDDCA CACBD CABAB ABDBD



2017 親子成長營性向測驗參考答案

國文	CBCADBACCD ACBDACBABD CACDCDDDCB AAADBADCCD
英文	BDDBCBDDCC ACBACBBCDD DABDACCBCB BABADCACDD
自然	CDCBDABDDDB DACBCCBACA CACBBCCDBA CDAB
數學	ACDBDBCCBC BADAADDCA

彰化縣私立精誠高級中學附設國中部2018年親子教育成長營  
國文科解答

1. A
2. C
3. D
4. A
5. D
6. C
7. A
8. B
9. B
10. C
11. B
12. A
13. C
14. D
15. A
16. B
17. D
18. C
19. D
20. B
21. B
22. C
23. C
24. D
25. A
26. C
27. A
28. D
29. B
30. D
31. D
32. D
33. A
34. A
35. A
36. C
37. D
38. C
39. B
40. B

彰化縣私立精誠高級中學附設國中部 2018 年親子營數學科評量解答

1-6 題基礎題，每題 6 分；7-14 題進階題，每題 5 分；15-20 題挑戰題，每

題 4 分

1. (B)
2. (C)
3. (C)
4. (D)
5. (B)
6. (A)
7. (D)
8. (A)
9. (B)
10. (B)
11. (C)
12. (C)
13. (B)
14. (B)
15. (A)
16. (D)
17. (C)
18. (C)
19. (B)
20. (C)

彰化縣私立精誠高級中學附設國中部 2018 年親子教育成長營  
自然科評量卷解答

1.(D)	2.(C)	3.(B)	4.(A)	5.(D)	6.(C)	7.(C)
8.(C)	9.(C)	10.(C)	11.(B)	12.(A)	13.(B)	14.(D)
15.(A)	16.(D)	17.(D)	18.(D)	19.(A)	20.(B)	21.(D)
22.(A)	23.(A)	24.(D)	25.(D)	26.(B)	27.(B)	28.(B)
29.(A)	30.(D)	31.(D)	32.(B)	33.(D)	34.(A)	35.(A)
36.(B)	37.(B)	38.(C)	39.(D)	40.(A)	41.(C)	42.(D)

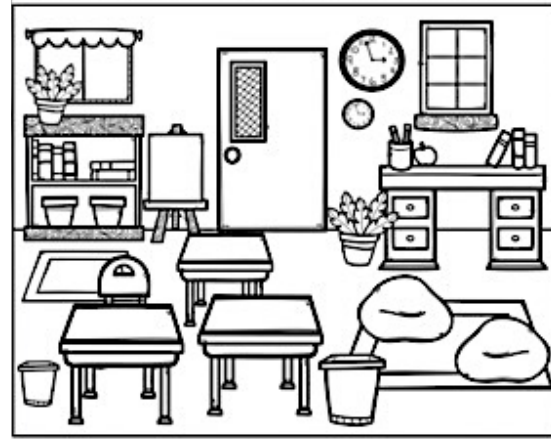
彰化縣私立精誠高級中學附設國中部 2018 年親子教育成長營英文科評量

(共四十題，每題 2.5 分，請把答案畫在答案卡上)

第一部分：單選題—請從選項中選出一個最佳答案。

1. Look at the picture on the right. Which of the following is correct? **B**

- (A) This room has two doors.
- (B) There is no one in this room.
- (C) A person can swim here.
- (D) The clocks aren't on the wall.



2. Look at the picture below. What can we learn from it? **D**

- (A) The boy with glasses are too weak to give seats to the others.
- (B) The man in the middle is ready to get off.
- (C) The three people know about one another.
- (D) The woman on the left is going to have a baby.



3. Don't tell lies, my son. It is important to be \_\_\_\_\_. **B**

- (A) smart
- (B) honest
- (C) funny
- (D) polite

4. More and more people love to go camping in the mountains or at the beaches to get close to \_\_\_\_\_. **D**

- (A) garden
- (B) factory
- (C) hobby
- (D) nature

5. To stay in shape, we should eat right and \_\_\_\_\_ at least three times a week.

- (A) spend
- (B) cheat
- (C) exercise
- (D) decide

6. Do you check your phone very often? Will you feel terribly bad if your parents take away your phone? If yes, you may have phone addiction, a danger to your mental \_\_\_\_\_.

- (A) health
- (B) drug
- (C) medicine
- (D) needle

7. Some students don't perform well in junior high school because they fail to have good \_\_\_\_\_. They waste a lot of time on Facebook or Instagram, do homework very late, or study only before tests.

- (A) brains
- (B) habits
- (C) interests
- (D) friends

8. Hilda joined a(n) \_\_\_\_\_ this summer vacation. She taught English to children who didn't have money to go to school, helped cook for those who didn't have food to eat, and set up a website to raise money for the poor. She felt proud of herself.

- (A) science project
- (B) volunteer program
- (C) outside reading
- (D) space travel

9. I love the idea that stores don't give free plastic bags to shoppers. \_\_\_\_\_ is what everyone should do to protect the environment.

- (A) Going green
- (B) Planning ahead
- (C) Shopping online
- (D) Breaking free

10. A: How come you didn't go to school today? **D**  
 B: I have a flu(流感). The doctor said I have to stay home for five days.  
 A: That's too bad. \_\_\_\_\_  
 B: Thanks.  
 (A) I'll keep that in mind. (B) Why not tell me the truth?  
 (C) Let's not catch a cold. (D) I hope you get well soon.
11. A: I feel very bad after I shouted angrily at my mom. I should have said sorry to her, but I don't have the courage(勇氣) to face her.  
 B: Well, if you don't know how to say sorry to her in person, \_\_\_\_\_. **D**  
 (A) you should bow to her and say you're sorry  
 (B) it is wise of you to tell your teacher about it  
 (C) stay calm and wait for her to save you  
 (D) leaving a sincere sorry message is helpful
12. Mike's grandmother will be seventy years old tomorrow. Everyone in the family is preparing for \_\_\_\_\_ birthday party. **C**  
 (A) their (B) his (C) her (D) Mike's
13. I play the piano well, \_\_\_\_\_ **A** my brother doesn't. He only likes outdoor activities.  
 (A) but (B) and (C) when (D) or
14. One of your friends called a few minutes \_\_\_\_\_. She asked you to call her back as soon as possible. **C**  
 (A) before (B) after (C) ago (D) later
15. I'm going to make some dumplings, but I have no idea \_\_\_\_\_ pork I need. **A**  
 (A) how much (B) how far (C) how tall (D) how long
16. Do you see that the police officers \_\_\_\_\_ hard for the missing girl in the park? It seems that the chance of finding her is slim. **D**  
 (A) searched (B) will search (C) searches (D) are searching
17. Listen up! This report should be handed in by next Friday. If you don't meet the deadline, you'll be in trouble. So, \_\_\_\_\_ late. **C**  
 (A) be not (B) aren't you (C) don't be (D) won't be

第二部分：題組—請從選項中選出一個最佳答案。

(18~20)

All animals need to eat to live. Some eat plants, some eat animals, and others eat both. The relation \_\_\_(18)\_\_\_ each animal and the others is called the "food chain." The animals at the bottom of the food chain eat \_\_\_(19)\_\_\_. They are often prey to other animals of higher places on the food chain. Then, bigger animals eat these animals. Finally, at the top of the food chain, we find the most "dangerous" animal in the world. I guess you \_\_\_(20)\_\_\_ know the answer. Yes, it's humankind.

relation 關係      chain 鏈      prey 獵物

18. (A) around (B) under (C) behind (D) between **D**  
 19. (A) animals (B) men (C) plants (D) chains **C**  
 20. (A) never (B) no way (C) really (D) already **D**

(21~22)

It was the night before Nancy's trip with her parents. Nancy could not wait. They were going to the mountains. She began to pack for the trip. She packed warm clothes, her camera, and a bird book. She wanted to take pictures and hoped to see some birds.

Nancy thought she was ready. Then she remembered her journal! She wanted to write each day about her trip. She lay on her bed, thinking of her trip. Soon, she drifted off to sleep.

21. Which one did Nancy pack **LAST**? **B**  
 (A) Warm clothes. (B) Her journal.  
 (C) A camera. (D) A bird book.
22. Who **DIDN'T** go on the trip? **C**  
 (A) Nancy (B) Nancy's mom  
 (C) Bill (D) Nancy's dad



(23~24)

The school library is a great place for learning and finding new information(資訊). To use it, you have to follow some basic rules. First, always try to keep quiet. If you want to talk on the phone, you may leave for a while. Then, never run inside. If kids like to run, this is not a place for them. Last, no food or drinks and gum. If you can follow these rules, I think you will have a good time in the library.

23. Which is the one that you **DON'T** see in the school library? **D**



24. In the reading area(區), you see the sign on the right.

It means \_\_\_\_\_ . **B**

- (A) you have to talk at once
- (B) you have to keep quiet
- (C) you have to put on the headphones
- (D) you have to check emails right now



(25~26)

**We Want You!**

- ★ **Women only:** 20~29  
part-time: 5 persons
- ★ **Hours:** 10:00 a.m. ~ 6:00 p.m.  
every weekend
- ★ **Being kind and friendly**
- ★ **Pay:** NT\$100 an hour
- ★ **Free lunch**

Please Call: (02)26170622 Mr. Lin (after 9:30 a.m.)

25. How many days a week does one need to work? **A**

- (A) Two.
- (B) Three.
- (C) Four.
- (D) Five.

26. How much is the pay for a day? **C**

- (A) NT\$100.
- (B) NT\$200.
- (C) NT\$800.
- (D) NT\$1,600

(27~28)

**Wedding Invitation Card**

.....

David Lin and Becky Chen are going to get married on Saturday, Dec.22. Welcome to our wedding and enjoy some great food.

**Time:** 7:00 p.m. to 9:00 p.m.

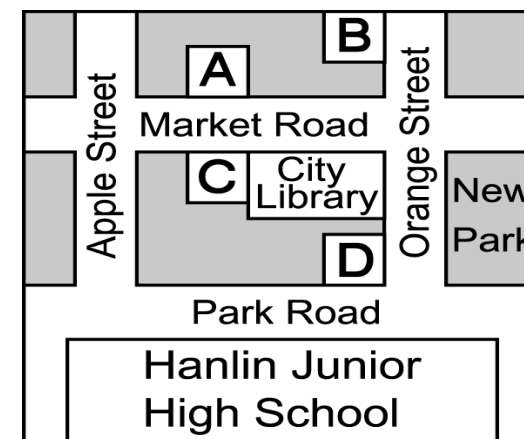
**Place:** Rose Garden Restaurant  
260 Market Road, Moon City  
(between Apple Street and Orange Street, next to the City Library)

Tel: 4321-5678

27. What is this card for? **A**

- (A) To ask people to go to a wedding.
- (B) To ask people to have dinner at Rose Garden Restaurant.
- (C) To let people know December 22 is a lucky day.
- (D) To ask people to shop at 260 Market Road.

28. Look at the map. Where is Rose Garden Restaurant? **C**



- (A) A.
- (B) B.
- (C) C.
- (D) D.

(29~31)

Dear Betty,  
 I couldn't find my brushes these days. I have an art class tomorrow. Every one of us in my class needs to bring one. Could you lend me your brushes?  
 By the way, I couldn't find my math workbook, either. Did you see it in your room?

Anita

Dear Anita,  
 You surely(當然) can't find your brushes because you lent them to me two weeks ago. Remember? They are still in my room. I will give them to you tonight.  
 I am not sure where your math workbook is, but I think you may put it somewhere in the living room. You were doing your math homework and watching TV then. Just look for it there.  
 By the way, today is Dad's birthday. We will go to Anna's for a big dinner. Come home early after school.

Betty

29. What does one mean? **B**  
 (A) An art class. (B) A brush. (C) A workbook. (D) A TV.
30. What may Anna's be? **D**  
 (A) A school. (B) A flower shop. (C) A music store. (D) A restaurant.
31. Which is **NOT** true? **C**  
 (A) Anita can't find her brushes and math workbook.  
 (B) Betty will give brushes to Anita tonight.  
 (C) Betty found Anita's workbook in the living room.  
 (D) Betty and Anita are sisters.

(32~33)

### Steve's Diary

♥♥♥♥♥♥♥	♥♥♥♥♥♥♥
Dear Diary, I was really stupid today. My parents and my brothers laughed at me. ☹️	just two minutes. Then I ate my breakfast. Ten minutes later, I was ready for school. At the time, Mom saw me at the door and asked, "Steve, where are you going?" "To school, of course. I'm late!" I said. "Why? Isn't it the Moon Festival today?"
Usually, I get up at seven o'clock, but this morning, I got up at seven thirty. It was very late, so I jumped out of bed and ran to the bathroom. I brushed my teeth and washed my face in	

32. What time did Steve get up this morning? **C**  
 (A) At 7 a.m. (B) At 7 p.m. (C) At 7:30 a.m. (D) At 7:30 p.m.
33. Which is **true**(正確) about Steve? **B**  
 (A) He didn't have breakfast this morning.  
 (B) He usually gets up at seven in the morning.  
 (C) He went to school at seven forty this morning.  
 (D) His family laughed at him because he was late for school.

(34~36)

Grandma Annie is eighty years old. She lives alone in a small house. She is very generous(寬厚的) to others. She visits a children's home near her house almost every day. She brings the kids different things when she goes there. She always brings them some food and snacks, but sometimes brings some books. She also teaches them to sing songs and play games with them. All the kids like her very much. But last week, Grandma Annie didn't go to the children's home for many days. Then the teacher called her and knew that Grandma Annie was very sick at the hospital. The children were all worried and wrote her a get-well-soon card. After one week, Grandma got well and went back home. Now she can go to see the kids again and she is happy about that.



34. What did the kids write to Grandma when she was sick? **D**  
 (A) A thank-you card. (B) A welcome card.  
 (C) A birthday card. (D) A get-well-soon card.
35. What **DOESN'T** Grandma do for the kids? **A**  
 (A) Read them stories. (B) Bring them some food and snacks.  
 (C) Sing songs with them. (D) Play games with them.
36. Which is **NOT** true? **D**  
 (A) All the kids at the children's home like Grandma Annie very much.  
 (B) Grandma Annie is nice and kind to the children.  
 (C) Grandma Annie was sick last week.  
 (D) Grandma Annie works in a children's home.

(37~38)

Sue: Hi, Jay, I heard you had a good time with Meg at Joy Park last Sunday.

Jay: Yes. Why didn't you come with us? We got there by bus in only fifteen minutes.

Sue: I know, but it's always full of people on weekends. Also, I just went there with my parents last month. Did you try the Dandelion Seat there? It's very popular, so people always need to wait for over one hour to get a ride.

Jay: You mean those flower-like umbrellas?

Sue: Yes. I enjoyed riding on the Dandelion Seat and looking over the city. It was so exciting.

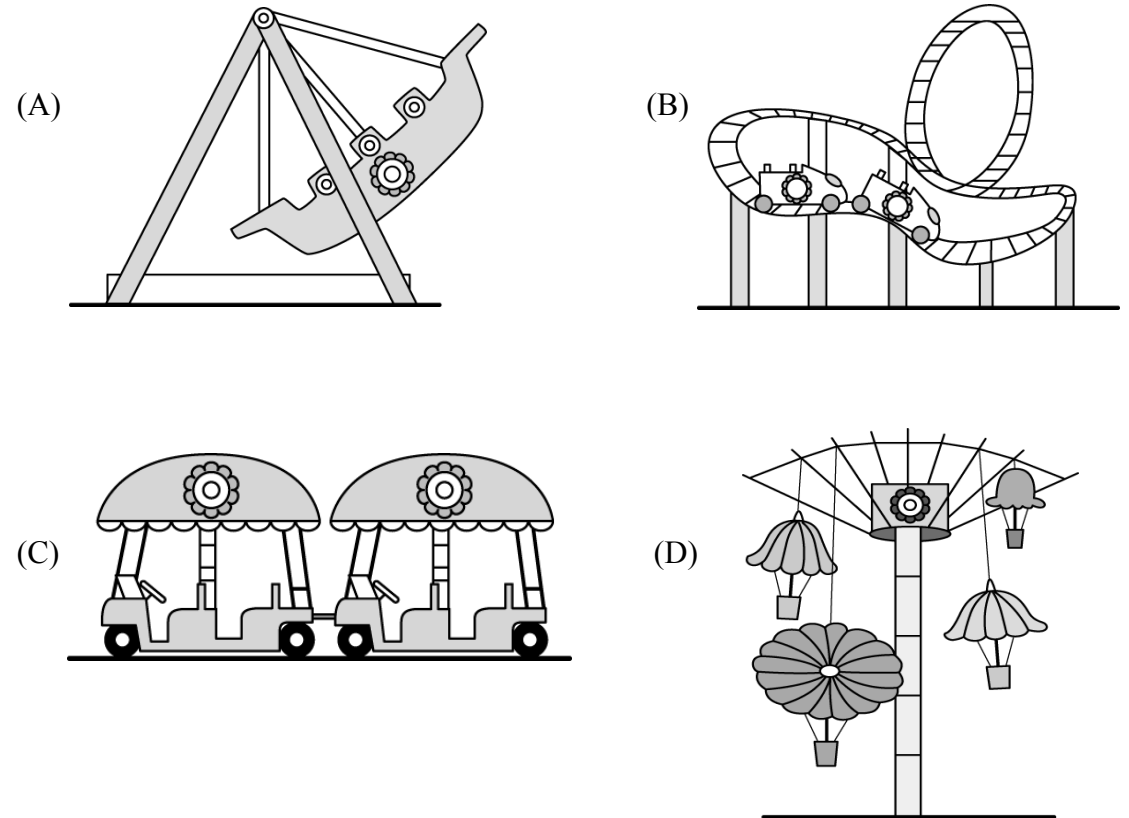
Jay: Eh... It flies too high in the sky. I don't think it's fun to ride in the air. I feel like I could fall down any time. I liked taking the train to get around the park.

Sue: Maybe you will like it more at night. It's wonderful to see the beautiful lights below your feet.

Jay: Well... I don't like high places.

Sue: Oh, I see. That's too bad.

37. What can we learn about Joy Park? **A**  
 (A) It is also open at night.  
 (B) It is across from Jay's house.  
 (C) People can only take the MRT there.  
 (D) Dandelion Seat is not popular because it isn't exciting.
38. What may the Dandelion Seat look like? **D**

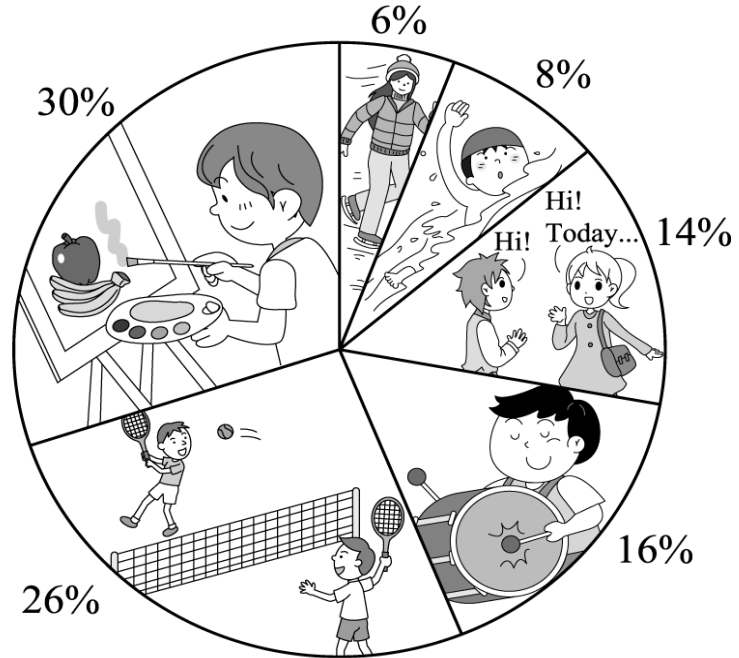


背面尚有題目

(39~40)

**What Can Students in Class 701 Do ?**

There are 50 students in Class 701.



39. How many of the students in Class 701 can swim? **B**

- (A) Three.      (B) Four.      (C) Five.      (D) Six.

40. Which is **true**? **D**

- (A) Eight students can play tennis.      (B) Thirteen students can paint.  
(C) Fifteen students can play the drums.      (D) Seven students can speak English.

題目結束

2019 年親子營參考答案

國文

1	2	3	4	5	6	7	8	9	10	11	12	13	14	15	16	17	18	19	20	21	22	23	24	25	26	27	28	29	30	31	32	33	34	35	36	37	38	39	40
D	B	D	C	B	D	C	C	B	D	D	D	A	A	A	A	B	D	B	B	B	C	C	A	D	C	A	A	D	B	B	D	B	C	A	D	C	D	B	A

英文

1	2	3	4	5	6	7	8	9	10	11	12	13	14	15	16	17	18	19	20	21	22	23	24	25	26	27	28	29	30	31	32	33	34	35	36	37	38	39	40
B	D	B	C	A	C	B	D	C	A	B	C	A	B	A	D	B	C	B	D	C	A	B	C	B	D	D	B	B	C	A	D	A	B	B	A	A	C	B	C

數學

1	2	3	4	5	6	7	8	9	10	11	12	13	14	15	16	17	18	19	20	21	22	23	24	25
C	B	C	A	D	A	D	C	B	B	B	A	D	C	B	D	D	A	B	D	C	A	C	B	C

自然

1	2	3	4	5	6	7	8	9	10	11	12	13	14	15	16	17	18	19	20	21	22	23	24	25
D	B	D	D	D	C	C	A	C	A	A	C	C	D	C	C	D	D	A	B	C	D	A	B	D

## 2020 年親子營參考答案

國文	1	2	3	4	5	6	7	8	9	10	11	12	13	14	15	16	17	18	19	20	21	22	23	24	25	26	27	28	29	30	31	32	33	34	35	36	37	38	39	40
	A	C	D	D	A	C	B	A	B	D	A	C	C	C	A	B	B	D	A	B	D	D	A	C	A	A	C	A	C	C	B	D	B	B	B	B	C	D	A	B

英文	1	2	3	4	5	6	7	8	9	10	11	12	13	14	15	16	17	18	19	20	21	22	23	24	25	26	27	28	29	30	31	32	33	34	35	36	37	38	39	40
	A	B	C	C	D	D	A	B	A	C	B	C	A	D	B	B	A	C	D	A	C	D	D	C	A	D	B	C	A	A	C	B	B	C	D	B	A	C	B	D

數學	1	2	3	4	5	6	7	8	9	10	11	12	13	14	15	16	17	18	19	20	21	22	23
	C	C	D	D	A	B	B	C	A	D	A	D	A	B	B	C	C	A	B	D	D	B	C

自然	1	2	3	4	5	6	7	8	9	10	11	12	13	14	15	16	17	18	19	20	21	22	23	24	25	26	27	28	29	30	31	32	33
	A	C	D	A	C	B	D	A	D	C	C	B	D	B	B	D	D	A	D	D	A	C	B	C	A	D	C	C	B	C	B	B	C

2021 年親子營參考答案

國文	1	2	3	4	5	6	7	8	9	10	11	12	13	14	15	16	17	18	19	20	21	22	23	24	25	26	27	28	29	30	31	32	33	34	35	36
	C	D	B	D	A	B	A	B	D	D	B	C	B	D	D	B	C	A	A	D	A	A	A	A	A	D	B	D	D	B	C	C	B	C	A	C

英文	1	2	3	4	5	6	7	8	9	10	11	12	13	14	15	16	17	18	19	20	21	22	23	24	25	26	27	28	29	30	31	32	33	34	35	36	37	38	39	40
	A	B	D	C	B	A	A	B	D	C	C	A	B	D	B	A	C	B	A	B	C	B	D	A	B	C	A	D	C	B	A	C	B	D	A	B	C	A	C	D

數學	1	2	3	4	5	6	7	8	9	10	11	12	13	14	15	16	17	18	19	20
	D	A	B	B	D	C	A	A	D	B	C	A	B	B	A	B	A	C	D	C

自然	1	2	3	4	5	6	7	8	9	10	11	12	13	14	15	16	17	18	19	20	21	22	23	24	25	26	27	28	29	30	31	32	33	34	35	36	37	38	39	40
	D	D	C	A	B	D	B	A	C	D	C	E	B	D	B	C	A	E	B	D	B	A	B	C	C	D	C	B	C	A	B	B	C	B	E	A	A	D	B	A

